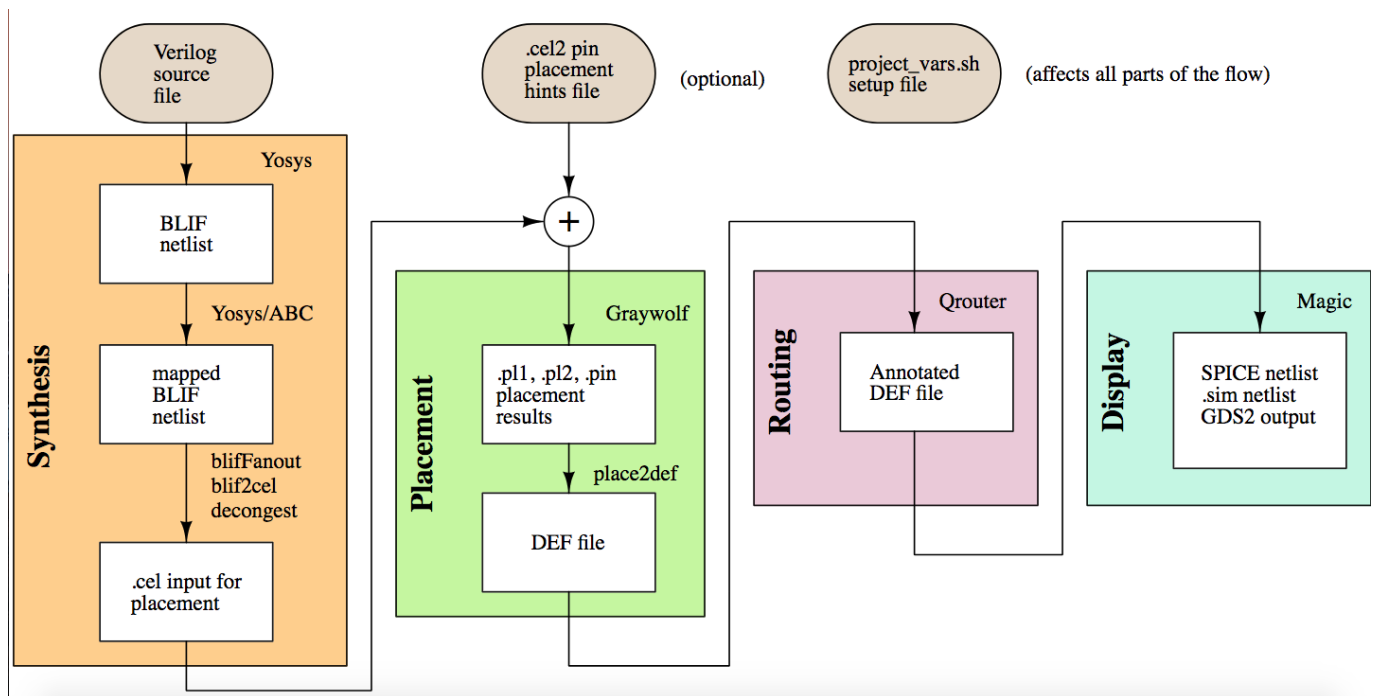


# Advanced Chip Design, Practical Examples In Verilog Download Pdf



DOWNLOAD: <https://byltly.com/29603a>

Download

---

a9c2e16639

[Ip Man 2 Tagalog Version Full Movie](#)  
[Psihologia Dezvoltarii Umare Ana Muntean Pdf 21](#)  
[Archicad 16 32 Bit 35 adobe service motoro](#)  
[Patlak Sokaklar Gerzomat 1080p Torrent](#)  
[Download Movie Saare Jahaan Se Mehnga](#)  
[Macrorit Disk Partition Expert 5.2.0 Keygen](#)  
[batzal roof designer for 3ds max 2013 crack](#)  
[Magix Music Studio 2006 Deluxe ISO](#)  
[BLEACH BERRY BEST \[2011\] \[DVDISO\]](#)  
[Marathi Movie College Girl Download](#)